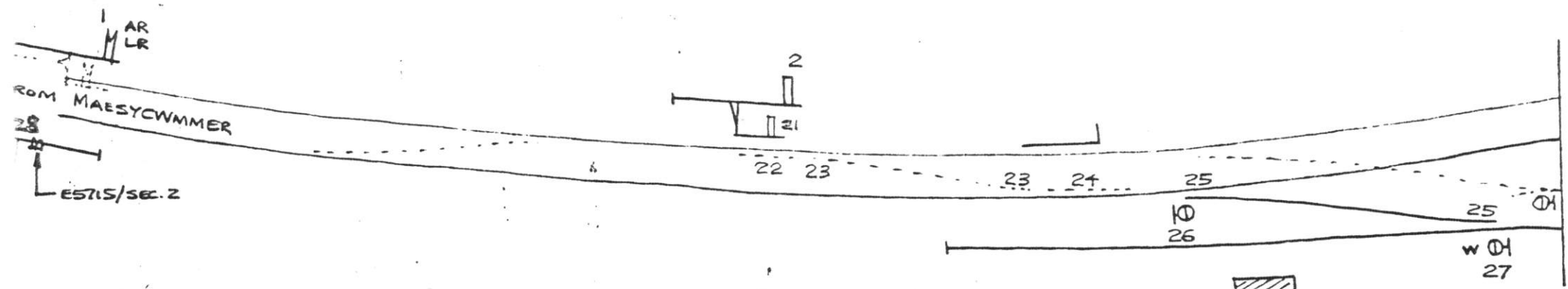


SPARES 9 10 11 12 13 20 21 41 42

BARRY Jct (B+M)

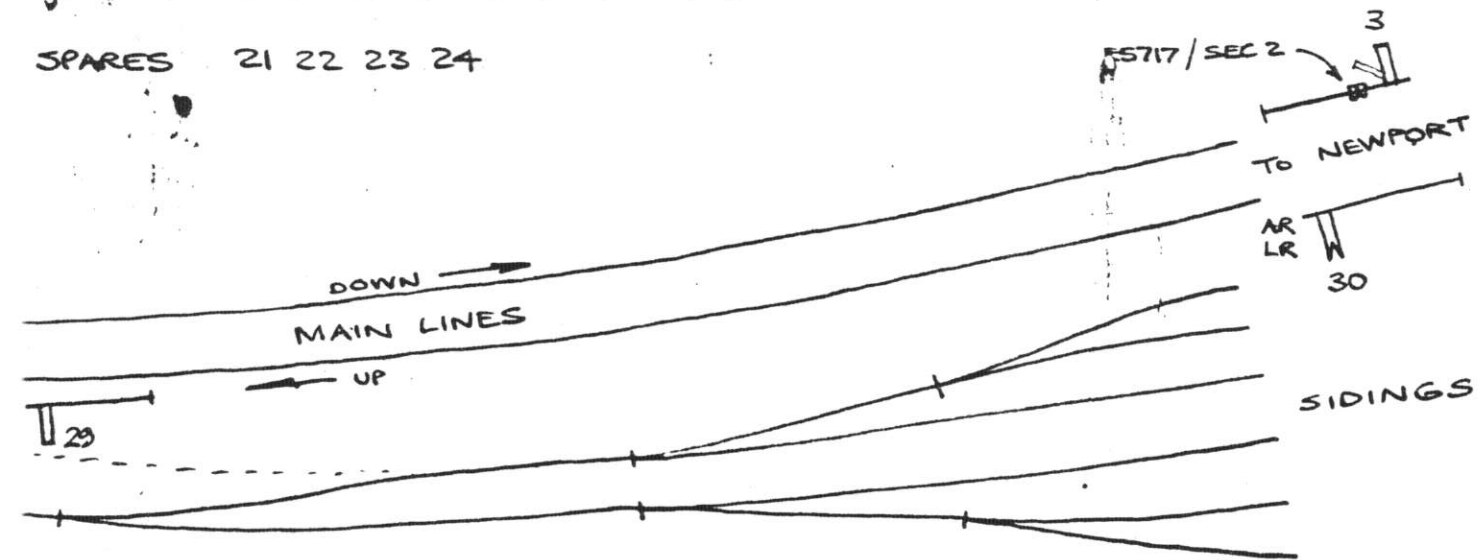
DUFFRYN ISAF

BARRY JUNCTION B&M



SPACES 4 5 7 8 9 10 11 12 13 6 14 15 16 17 18 31 32 33 34 35 36  
 37 38 39 40 41 42 43 44 45 46 47 48 19 20

SPARES 21 22 23 24



SLOT ON No 3 AWAY  
 TREHAR QUARRY G.F.  
 CLOSED NOV. 1953.

- B AUG. 1955.  
 WR. COMM-BLOCK.  
 INTERLINKING OF DISTANTS  
 LCR'S ON 3. 28.
- C JUNE 1957  
 XOVER 23 & ASSOCIATED  
 BARS & SIGNALS RECOVERED.